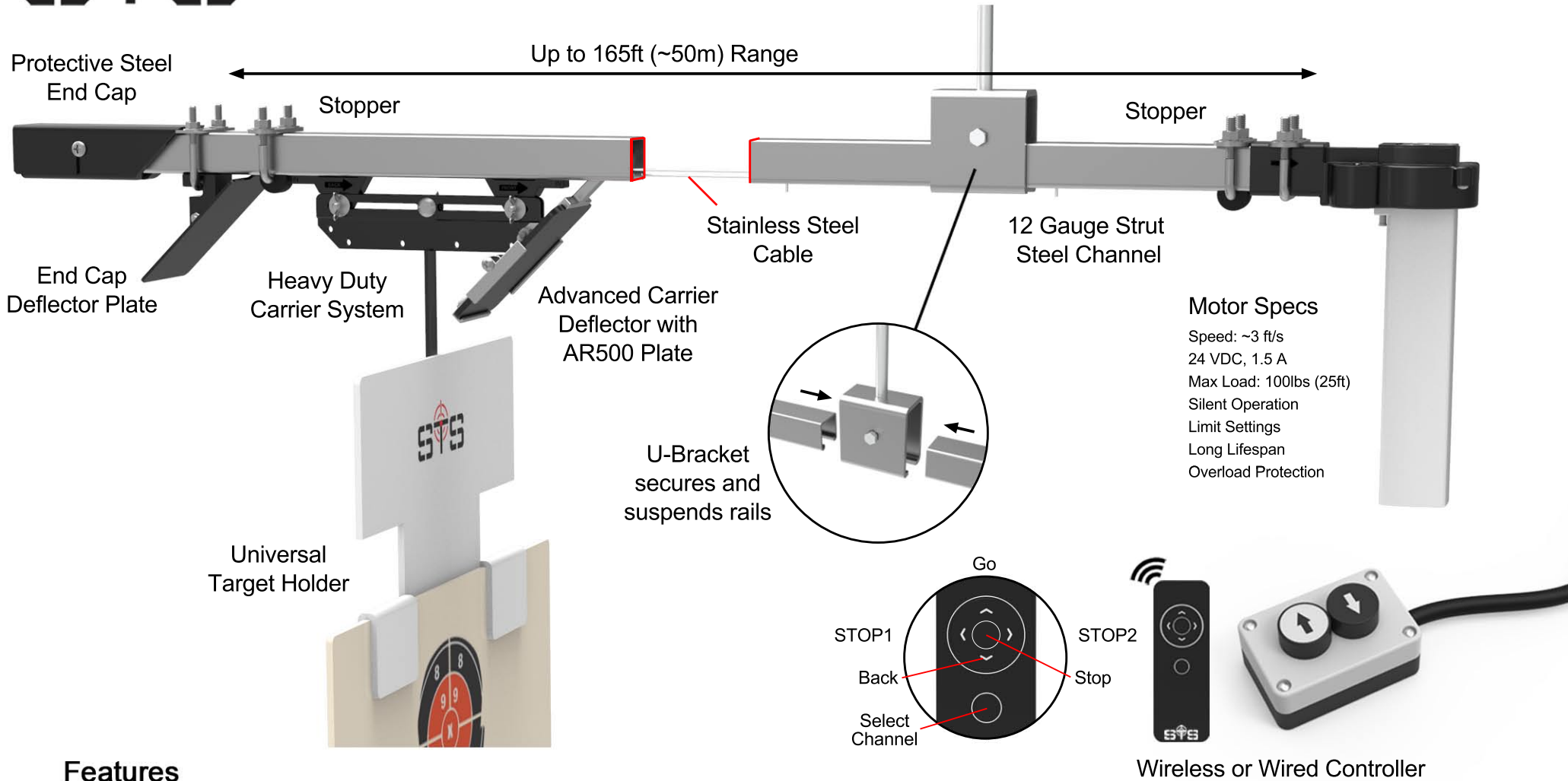




HEAVY DUTY TARGET RETRIEVAL SYSTEM



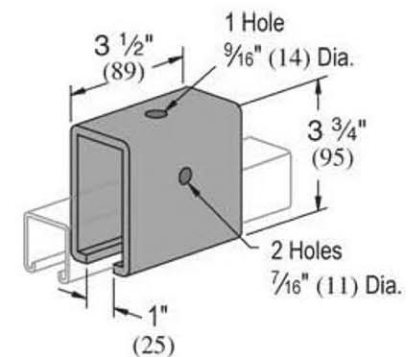
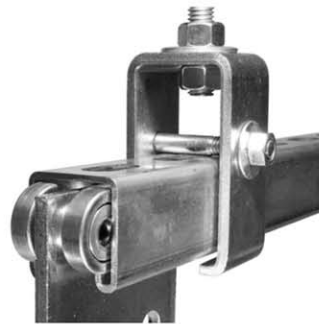
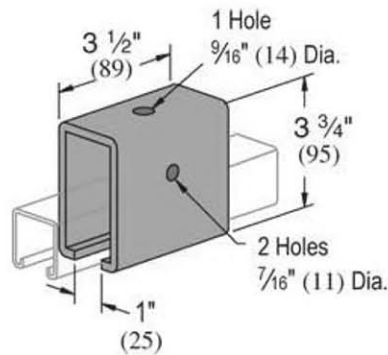
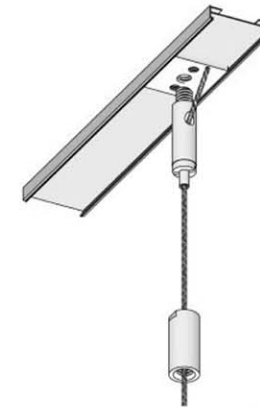
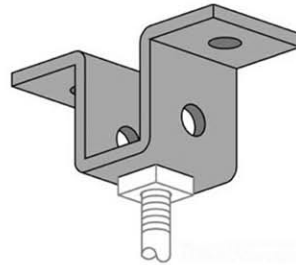
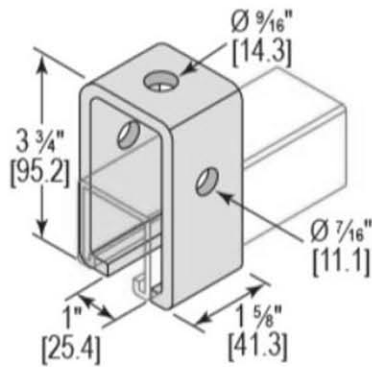
Features

- Steel Rails (12GA) with SS aircraft wire
- Metal Carrier with steel rollers and optional bullet deflector
- Easy to install DIY kit (no need for specialized contractors)
- Inexpensive to maintain and troubleshoot
- Optional Wired Controller available.
- Up to 165ft (~50m) range

- High Speed Motor ~3ft/s with smart technology:
 - *Soft start/stop, overload protection, wireless activated*
- Wireless controller with smart functions:
 - *Programmable Limits/Stops setup*
 - *2 Intermediate programmable stopping points (third stop available with special controller)*

Rail Installation Notes (Standard Strut Channel Type: 1-5/8" x 1-5/8")

- U-shaped brackets are needed to ensure clean movement of the target carrier. The Rails must be completely free of any interior obstructions.
- Verify the Rails and joint sections are not bent or damaged in any way. If they are, replace the Rail or cut out the damaged part.
- The U-shaped brackets are used to hold the Rail sections together and to suspend them from the ceiling. Tighten the U-shaped brackets to properly clamp the rails in place using the 3/8" bolts and nuts. The wider brackets are more robust, but a bit more expensive.
- When suspending the Rails, the U-shaped brackets can be used with threaded rods (or cables) and ceiling brackets. Typical rod diameter is 3/8" or 1/4" with corresponding nuts or couplers.



Directly on Ceiling

Using Threaded Rods

Using Suspended Cables