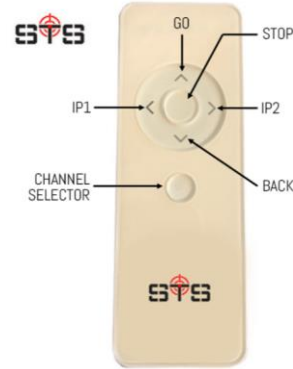




Target Retrieval System (HD)

- Steel Rails 12GA with SS aircraft wire
- Metal carrier with steel rollers and optional bullet deflector
- Easy to install DIY kit (no need for specialized contractors)
- Inexpensive to maintain and troubleshoot
- High Speed Motor 4-5ft/s with smart technology:
 - *Soft start/stop, overload protection, wireless activated*
- Up to 150 yd capability
- Target Turner module option add-on (wireless activated)
- Dual controllers included: wired (water resistant) and wireless
- Wireless controller with smart functions:
 - *Programmable Limits/Stops setup*
 - *Reverse direction*
 - *2 intermediate programmable stopping points*



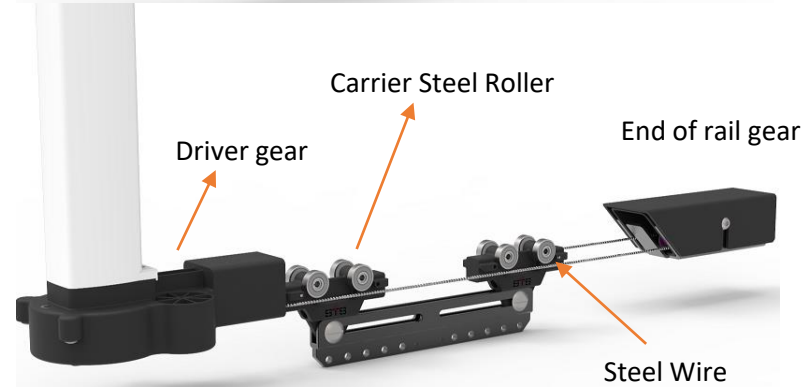
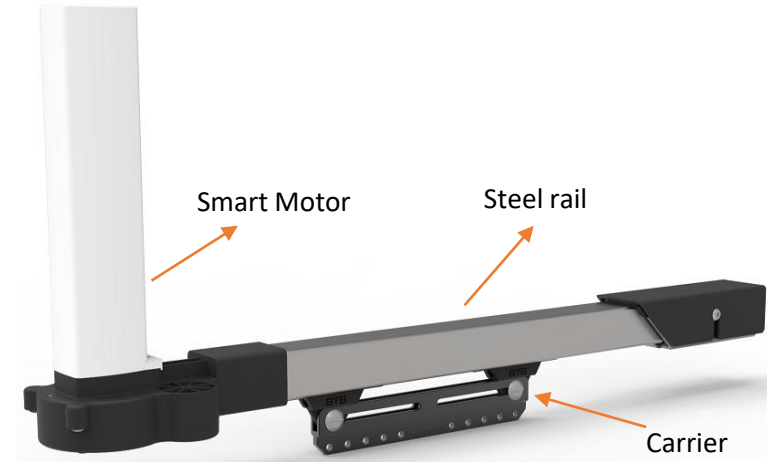
Wireless controller



Wired Controller



Turner Controller



Turner Module



Bullet Deflector

Rails Installation

(standard strut channel type 1-5/8")

- To ensure the free movement of the target carrier, the rails (strut channels) must be completely free of any interior obstructions. The simplest and most economical way to achieve this is to use U shape brackets.
- The U shape brackets have dual purpose: the rail segments can be connected to each other and also suspended using the same U shape bracket (narrow or wide type). The wide type provide better rail support and they are easier to install, however they are a bit more expensive.
- The brackets can tighten to properly clamp the rails in place using the 3/8" bolts (at least 2" long) and nuts. The U shape bracket can be used to mount the rails directly on the ceiling.
- If rails must be suspended, the U shape brackets can be used in conjunction with threaded rods (or cables) and ceiling brackets.

