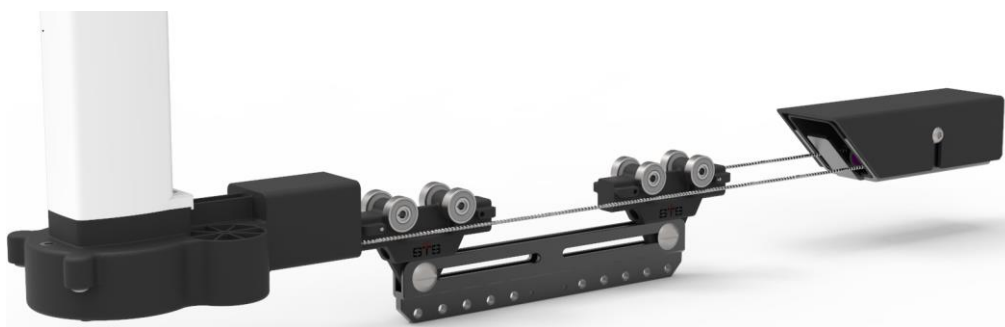
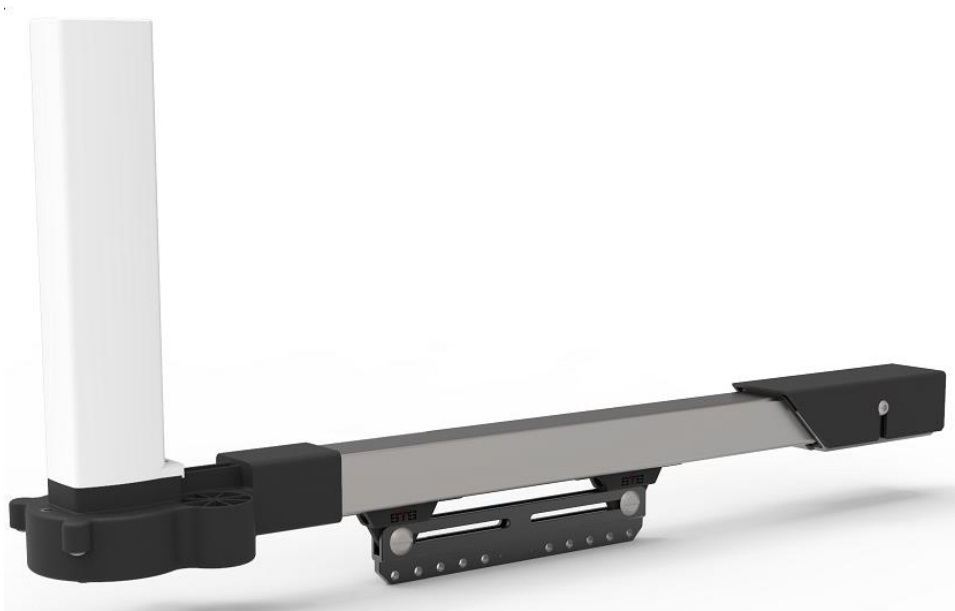




## HEAVY DUTY TARGET RETRIEVING KIT

### SIMPLE & AFFORDABLE

STS is dedicated to provide the most AFFORDABLE and TECHNOLOGICALLY ADVANCED solution for the target shooting enthusiasts eager to build their own target retrieval system, being private, home-based, or commercial. We offer complete target retrieval systems, bullet traps, target monitoring cameras and other advanced indoor range equipment and solutions at an EXCEPTIONAL PRICE SAVINGS and QUALITY compared to other market offerings.



## COMPONENT LIST PER 1 LANE:

No	Part Number	Description	QTY	Notes	Pic
1	TRSHD-R1	Standard 1-5/8 in x 1-5/8 in Strut Channel supplied in 5, 10 or 20Ft segments	According to length ordered		
2	TRSHD-CM1	Rail Ceiling Mounting	1 Every 2 segments	Total qty based on distance	
3	TRSHD-MG1	Motor Side Gear Box	1		
4	TRSHD-RE1	Rail End Gear Box	1		
5	TRSHD-BT12	Steel Cable Spool	1		
6	TRSX-93024V	Motor Kit with Wireless Controller	1	24VAC/DC with 110VAC adapter	
7	TRSHD-TC1	Target Carrier	1		
8	TRSX-SB10	Swing Bar	1	Dura Plastic, 90-degree holes	
9	TRSX-TH2	Target Holder	1	Corrugated Plastic	
10	TRSX-WT1	Wired Controller, Water Resistant	1		
11	TRSX-24V2ADC	Motor Power Supply	1		
12	TRSHD-DEF	Carrier Deflector	1	Optional	
13	TRSHD-GUIDE	Instructions Set (Motor Manual & TRS Guide)	1	Included in Kit or download from website	

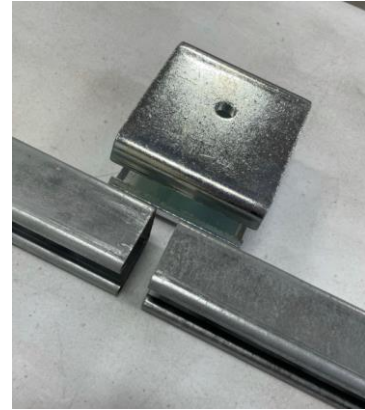
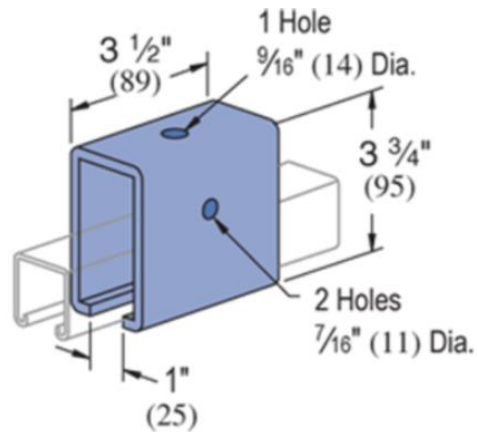
## INSTALLATION STEPS

*Note: Some components highlighted in the pictures below might look a bit different in reality, as we constantly try to improve.*

### STEP 1

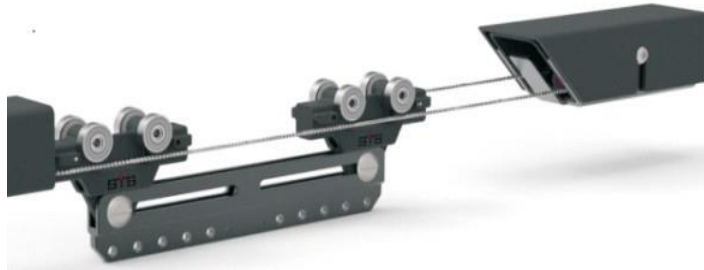
Install the rails using the provided U shaped brackets, which have dual purpose: connect the rail segments and suspend them. Attach brackets to the ceiling using screws or threaded rods to suspend the rails if needed.

*Note: Inspect the rails thoroughly as they must be completely free of any obstructions or damage.*



### STEP 2

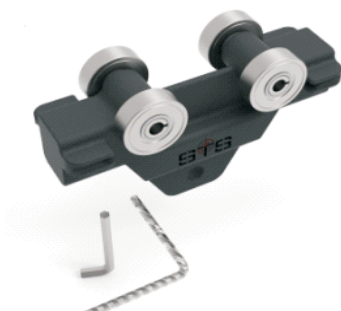
Measure the cable and cut it (2 times the rail's length + 20 inches +/- 1")



### STEP 3

Attach the cable to both carrier's rolling trucks and insert the trucks inside the rail, one truck at each end to avoid cable tangling.

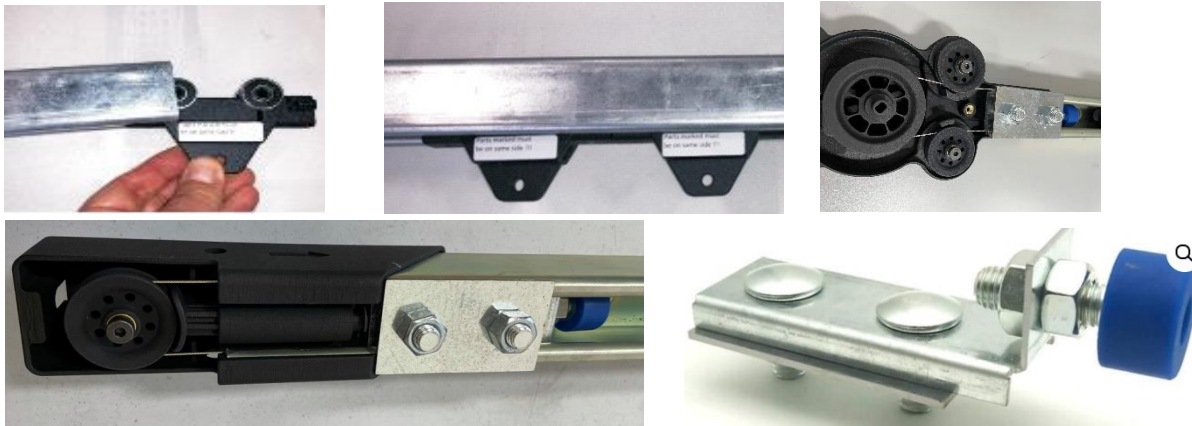
*Note: Each truck has only 1 threaded screw insert where the wire can go in. Trucks and motor gear box cover have some side markings, either an arrow or a dot. Install the trucks so that trucks markings and the motor gear box cover markings are on the same side of the rail.*



## STEP 4

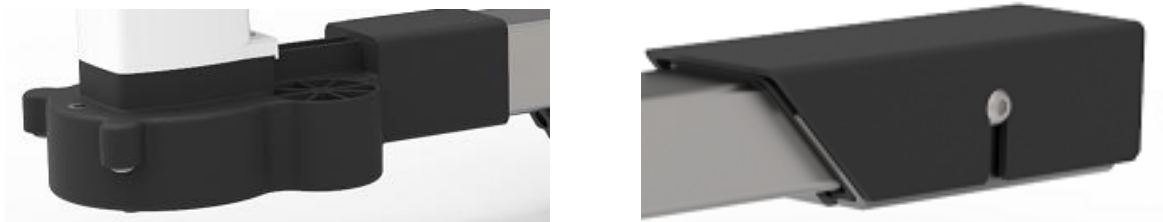
Bring the trucks closer to the middle of the rail while trying to avoid cable tangling

*Note: If your system comes with rail stoppers please insert them inside the rail before you attach the rails' front & back gear boxes. You can lock them in desired place after the installation is complete.*



## STEP 5

Attach the gear boxes to the rail without pinching the cable: motor side gear box and rail-end gear box



## STEP 6

Loop the cable into the gear boxes, bring the carrier trucks together, attach the carrier plate using the provided bolt/wing nuts and tighten up the cable so that the spring in the rail-end gear box is only 25-50% compressed

*Note: Cable for the motor gear box should be looped ideally twice so there is no slippage. However, when doing that make sure the wire does not overlap.*



## STEP 7

Attach the motor either on top or bottom of the gear box (above or below the rail)



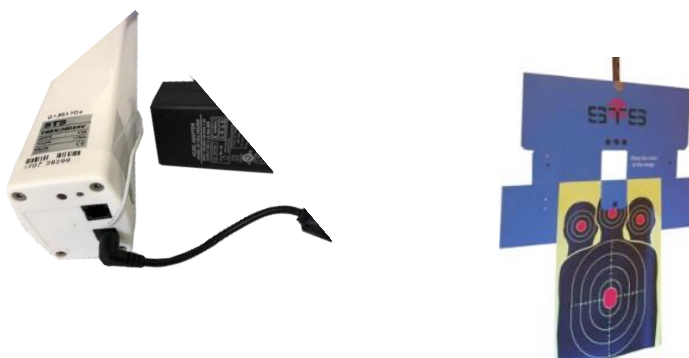
## STEP 8

Test the smooth operation by running the carrier by hand along full length of the rail



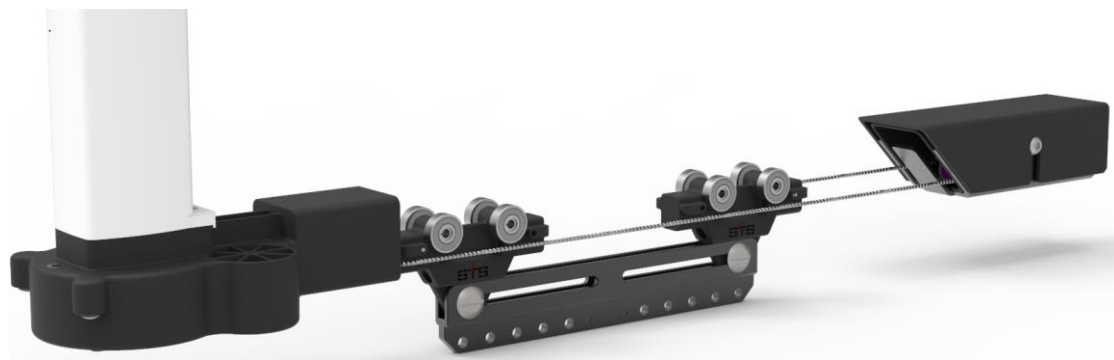
## STEP 9

Power the motor using the power adapter and test the system. Using the motor manual to set the motor rail limits for smoother operation (other advanced functions also available)



## STEP 10

Attach the optional carrier deflector, target bar and target holder



Thank You for your business!

Telephone: (800) 556-3162

Sales: [sales@supertargetsystems.com](mailto:sales@supertargetsystems.com)

Technical Support: [support@supertargetsystems.com](mailto:support@supertargetsystems.com)

2055 Comprehensive Dr. | Aurora, IL -60505

[www.supertargetsystems.com](http://www.supertargetsystems.com)